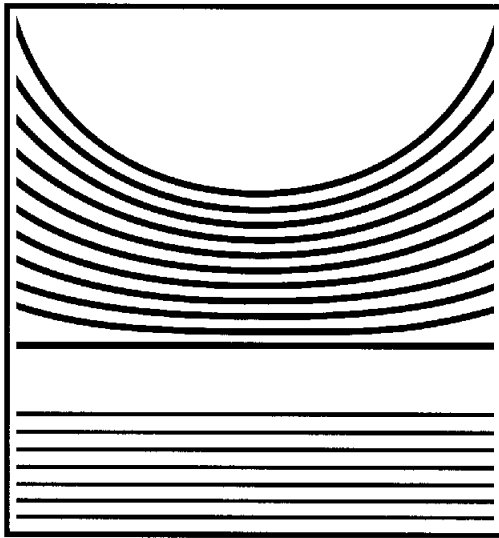




COLUMN COVERS

Following is the complete listing of the Pittcon Column Cover systems. From the SERIES 9000 Ceramicsteel clad column cover, to the SERIES ECC economy column covers, we have a system that will fit every budget and every condition. Our column covers come in a wide variety of finishes, colors and materials, giving the architect or interior designer complete freedom of choice. Please contact us if you have a situation which requires a customized solution.

All material and designs in this binder are the exclusive property of Pittcon Industries.



**Pittcon
Industries**

DIVISION OF PITTCOON ARCHITECTURAL METALS, LLC

Florida Representative:

DCS Architectural Products

850-319-0381 North Florida

239-298-6150 SW Florida

e-mail: sales@dc-sales.com

407-648-5348 Central Florida

954-938-0085 SE Florida

www.dcsarchitectural.com

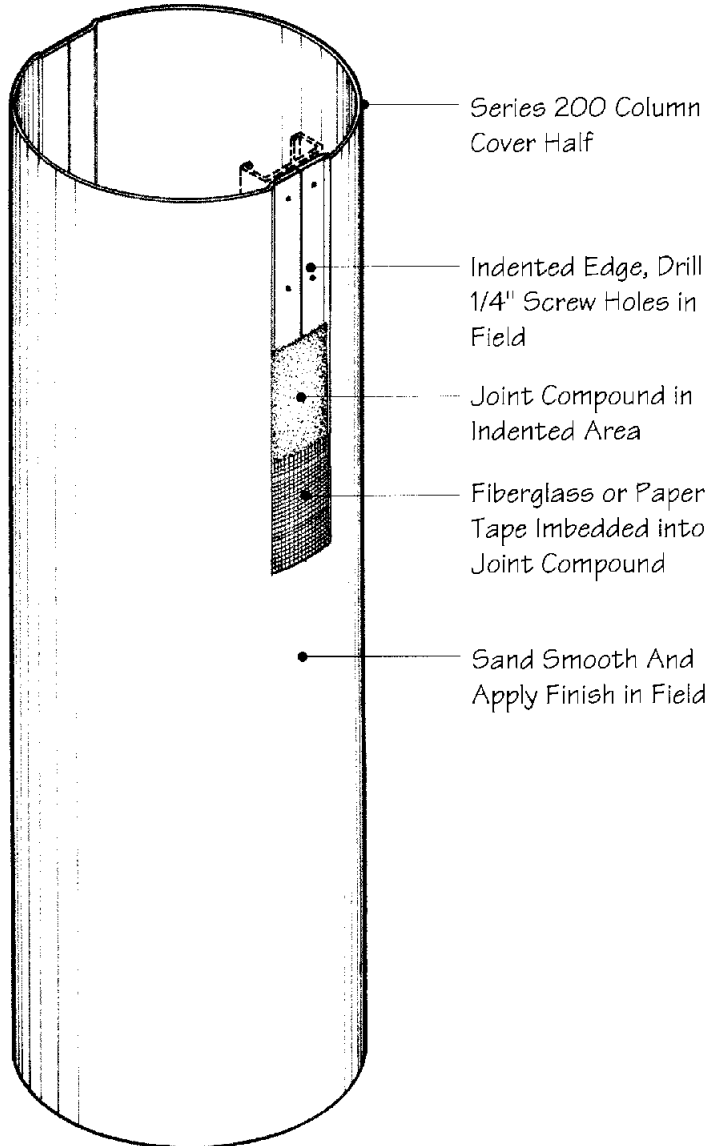
† Mouse Click on any page during the specific product
display view will return to that Product Index



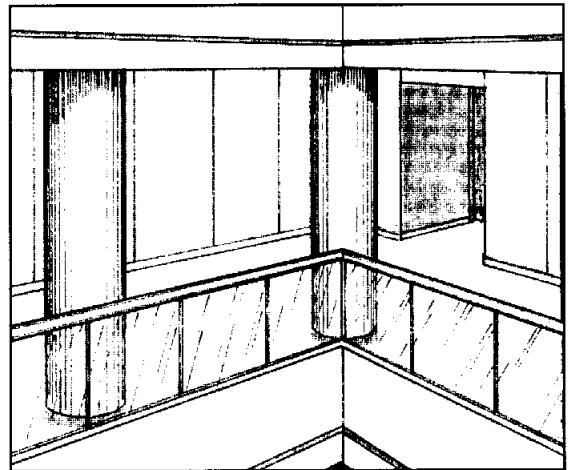
All Products are American Made
Fabricated, Manufactured, and Finished
in the United States of America

LEED® Architectural Green Building commitment

Series 200 Column Covers



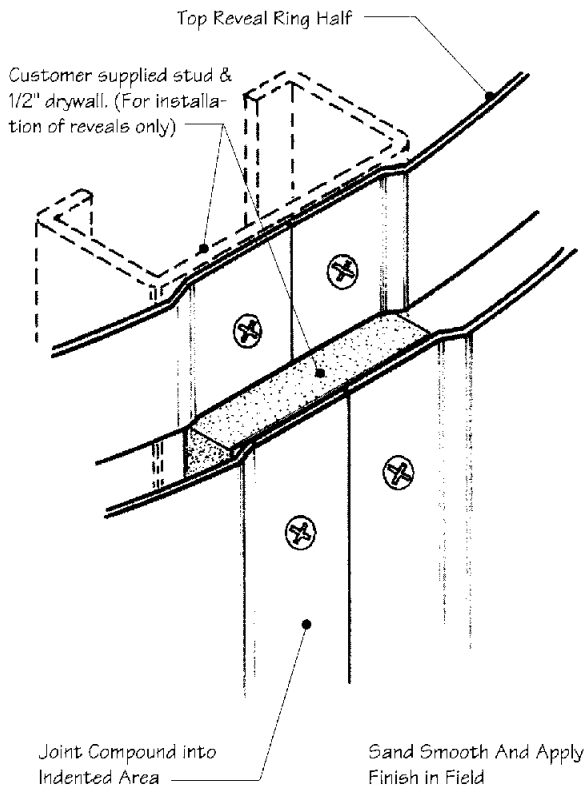
The SERIES 200 column cover system is ideal for those applications where economy of installation is a factor. Easy to install and field finish, the SERIES 200 can be used to enclose any structural column or condition where later access is not required. As well as being economical and easy to install, the covers provide a permanent and durable decorative feature to office environment or corridor. This column cover can be mounted in either interior or exterior conditions, with customer provided sub-framing. (Use of weather proof joint compound required for exterior use.)



The SERIES 200 column cover used to enclose structural columns at the edge of an atrium balcony. This adds a decorative feature to the area instead of just acting as concealment.

The SERIES 200 column cover system features a seamless, field-finished joint similar to the SERIES 100 column covers, but at a fraction of the cost. Roll-formed from aluminum (interior or exterior applications), or 16ga Galvaneal steel (interior applications) and supplied in two identical halves, the SERIES 200 is a superior alternative to GFRG. The field installer simply provides two standard metal drywall studs, and common sheet metal screws to install the covers. Standard drywall joint compound techniques (fiberglass-reinforced body-fill required for exterior applications) produce a monolithic appearance ideal for field applied paint or wall coverings. These column covers are supplied with a paint ready finish. Sizes start at 12" diameter (304.8 mm) in aluminum, and 14" diameter (355.6 mm) in Galvaneal steel, with a single length height up to 16' (4.877 M). (Note: Minimum 16" diameter (406.4 mm) required for column covers greater than 12' in height.) Diameters larger than 30" can be achieved by the addition of vertical joints. As a standard, the SERIES 200 is manufactured using .090" aluminum, 3003 alloy, or 16ga (.062") electro-galvanized steel.

Series 200-Details & Installation



Installation Details

No Scale

The SERIES 200 column cover system consists of the following parts:

- 1) Two custom roll-formed column cover halves.
- 2) One set of drawings / instructions.

The following customer supplied parts are also required for proper installation:

- 1) Two 2-1/2" metal or wood studs.
- 2) Angle brackets or runner channel for securing studs to floor and ceiling
- 3) Plumb bob & carpenter's level.
- 4) 1/8" or similar size drill bit.
- 5) #8 flat head Phillips sheet metal screws (for securing column cover halves to metal studs).
- 6) Two 1/2" thick gypsum board strips 2" wide (optional).
- 7) Denatured alcohol for final cleaning prior to finishing.

The proper positioning and anchoring of the metal studs is the single most important aspect of installing the SERIES 200 column cover. The studs must be plumb and properly spaced from one another, and the mounting brackets securely fastened to the floor and ceiling in order for the column cover halves to properly install. For specific installation instructions, please refer to the detailed installation instructions below, or in case of further questions, consult the factory.

Typical installation procedure

- 1) Determine the position of the column cover around whatever structural member you wish to enclose, and then install one stud in place, using a plumb bob and level to ensure plumb-ness. Using a tape measure, position the opposite stud in place so that the two studs are 1" closer together than the diameter of the column cover halves. Make sure that studs are securely fastened to the ceiling and floor utilizing proper fasteners.
- 2) Using 1/2" drywall, cut two 2" wide strips the same length as the column cover posts and tape the strips to the outside face of the studs. Position both column covers so that their adjoining fins butt together, centered on the studs. Fasten to the studs with #8 flat head self tapping screws spaced no more than 6" apart.
- 3) Clean with alcohol any accumulated oil, grease or dirt.
- 4) Trowel on reinforced joint compound and embed reinforced tape at joint.
- 5) Apply skim coat and sand smooth.
- 6) Repeat step three and then apply field finish.

SAMPLE SPECIFICATION

Section 05-58-13 Architectural Metal Column Covers

Part 1 - General

1.01 Description of work

A. Furnish all material necessary for a complete installation of the SERIES 200 column covers, exclusive of field applied material (i.e. joint compound, substructure, etc.).

1.02 Submittals

A. Submit complete shop drawings detailing quantities, sizes, finish, configurations, and column attachment methods.
B. Submit product literature, specifications, information, and installation instructions.

1.03 Quality Assurance

A. Manufacturer to have a minimum of ten years experience in the manufacturing of column covers.
B. Manufacturer to inspect all aspects of the product to ensure that specifications have been met, and that they comply with approved shop drawings.
C. Manufacturer shall issue a one year limited warranty ensuring product against defects in workmanship and materials.

Part 2 - Products

2.01 Acceptable Manufacturers

Pittcon Industries
6409 Rhode Island Ave.
Riverdale, MD 20737

Pittcon Industries
3330 W. Flower Street
Phoenix, Arizona 85017

2.02 Materials

A. Column covers shall be roll-formed from 16ga Galvaneal steel (or .090" aluminum) with paint ready finish to match architects sample.
B. All fasteners are to be concealed.
C. All column covers are to be shipped with protective material on all exposed surfaces.

2.03 Fabrication

A. Column covers shall be roll-formed to specific dimensions and tolerances, and accurately formed to radii shown on drawings.
B. Column covers shall be fabricated in two vertically divided sections with attached provided through in indented installation fin.

Part 3 - Execution

3.01 Inspection & Installation

A. Contractor to inspect column covers upon receipt to ensure that no damage has occurred during shipment.
B. Column cover to be correctly oriented and installed in accordance with manufacturer's shop drawings and installation instructions to ensure proper installation.
C. Column cover to be erected plumb and level.

3.02 Cleaning & Protection

A. Contractor to remove protective material supplied by column cover manufacturer.
B. Contractor to clean all visible surfaces after installation.
C. Contractor to protect column covers from damage by other trades

Pittcon Industries Division Pittcon Architectural Metals, LLC

6409 Rhode Island Avenue
Riverdale, Maryland 20737
(800) 637-7638 , (301) 927-1000
Fax: (301) 699-8690

3330 W. Flower Street
Phoenix, Arizona 85017
(800) 637-7638 , (602) 233-9100
Fax: (602) 233-9400

Fabricated with Pride in



Riverdale, Maryland-U.S.A.

Series 200 Column Cover Specifications

Section 05-58-13 Architectural Metal Column Covers

Job Name:

SPECIFICATION

Part 1 - General

1.01 Description of work

A. Furnish all material necessary for a complete installation of the SERIES 200 column covers, exclusive of field applied material (i.e. joint compound, substructure, etc.).

1.02 Submittals

A. Submit complete shop drawings detailing quantities, sizes, finish, configurations, and column attachment methods.

B. Submit product literature, specifications, information, and installation instructions.

1.03 Quality Assurance

A. Manufacturer to have a minimum of ten years experience in the manufacturing of column covers.

B. Manufacturer to inspect all aspects of the product to ensure that specifications have been met, and that they comply with approved shop drawings.

C. Manufacturer shall issue a one year limited warranty ensuring product against defects in workmanship and materials.

Part 2 - Products

2.01 Acceptable Manufacturers

Pittcon Industries

6409 Rhode Island Ave.

Riverdale, MD 20737

Pittcon Industries

3330 W. Flower Street

Phoenix, Arizona 85017

2.02 Materials

A. Column covers shall be roll-formed from 16ga Galvaneal steel (or .090" aluminum) with paint ready finish to match architects sample.

B. All fasteners are to be concealed.

C. All column covers are to be shipped with protective material on all exposed surfaces.

2.03 Fabrication

A. Column covers shall be roll-formed to specific dimensions and tolerances, and accurately formed to radii shown on drawings.

B. Column covers shall be fabricated in two vertically divided sections with attached provided through in indented installation fin.

Part 3 - Execution

3.01 Inspection & Installation

A. Contractor to inspect column covers upon receipt to ensure that no damage has occurred during shipment.

B. Column cover to be correctly oriented and installed in accordance with manufacturer's shop drawings and installation instructions to ensure proper installation.

C. Column cover to be erected plumb and level.

3.02 Cleaning & Protection

A. Contractor to remove protective material supplied by column cover manufacturer.

B. Contractor to clean all visible surfaces after installation.

C. Contractor to protect column covers from damage by other trades

Pittcon Industries Division Pittcon Architectural Metals, LLC

6409 Rhode Island Avenue

Riverdale, Maryland 20737

(800) 637-7638 , (301) 927-1000

Fax: (301) 699-8690

3330 W. Flower Street

Phoenix, Arizona 85017

(800) 637-7638 , (602) 233-9100

Fax: (602) 233-9400

Fabricated with Pride in



Riverdale, Maryland-U.S.A.