

Pittcon

6409 Rhode Island Avenue
 Riverdale, Maryland 20737
 (301) 927-1000
 (301) 699-8690 Fax

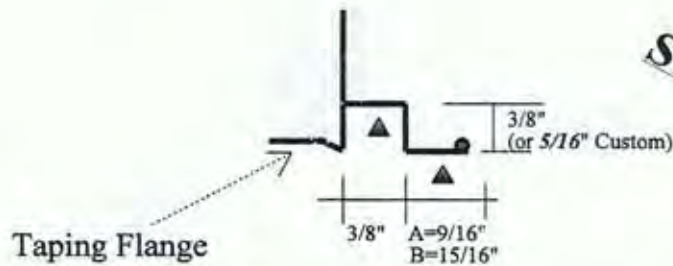


MATERIAL		FINISH			
<u>STEEL</u> A B C D E	<u>ALUMINUM</u> A B C D E	<u>BAKED ENAMEL WHITE</u> A B C D E	<u>BAKED ENAMEL BLACK</u> A B C D E	<u>EG</u>	<u>OTHERS</u>

# A	CTRB-916	25 PCS. P/ CARTON	LENGTH: 10'	TOTAL LF / PER CARTON: 250'
# B	CTRB-1516	25 PCS. P/ CARTON	LENGTH: 10'	TOTAL LF / PER CARTON: 250'

- A. CTRB-916
- B. CTRB-1516

Ceiling Transition Reveal-Bead



CUSTOM SIZES AVAILABLE: 2 WEEKS +/-

△ = BAKED WHITE ENAMEL

PLEASE SIGN HERE APPROVAL AND FAX BACK, IN ORDER FOR US TO PROCEED WITH ORDER:

▶ X _____ DATE: _____

▶ PURCHASE ORDER # _____ JOB # _____ CARTONS: _____

PRICING IS FIRM FOR 30 DAYS (UNLESS NOTED OTHERWISE)

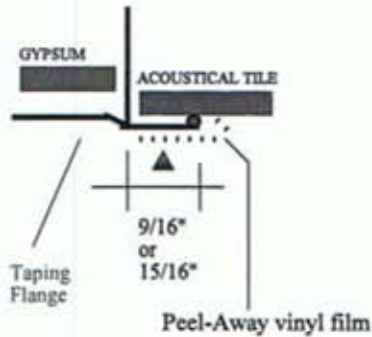
Pittcon

6409 Rhode Island Avenue
 Riverdale, Maryland 20737
 (301) 927-1000
 (301) 699-8690 Fax



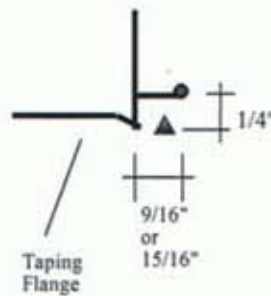
CUSTOMER:		CONTACT:			DATE:		
TEL:		FAX:			JOB NAME:		
JOB LOCATION:	MATERIAL			FINISH			
	STEEL A B C D E	ALUMINUM A B C D E	BAKED ENAMEL WHITE A B C D E	BAKED ENAMEL BLACK A B C D E	EG	OTHERS	
LEAD TIME: STOCK	QUOTED BY:			PROJECT MANAGER:			
# A	GAUGE:	PCS. 20 /CTN	LENGTH: 10'-00"	TOTAL LF: 200' /CTN	PRICE: \$	PER: LF	PC.
# B	GAUGE:	PCS. 20 /CTN	LENGTH: 10'-00"	TOTAL LF: 200' /CTN	PRICE: \$	PER: LF	PC.
# C	GAUGE:	PCS. 20 /CTN	LENGTH: 10'-00"	TOTAL LF: 200' /CTN	PRICE: \$	PER: LF	PC.
# D	GAUGE:	PCS.	LENGTH:	TOTAL LF:	PRICE: \$	PER: LF	PC.
# E	GAUGE:	PCS.	LENGTH:	TOTAL LF:	PRICE: \$	PER: LF	PC.

A. CTB-916 or CTB-1516
Ceiling Transition Angle-Bead



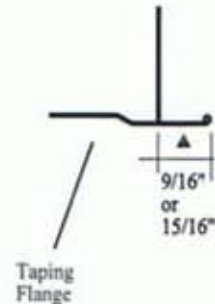
STOCK!

B. CTB-916OS or CTB-916OS
"Offset" Ceiling Transition Bead



STOCK!

C. CTB-916SL or CTB-1516SL
"Seamless" Ceiling Transition Bead



STOCK!

CUSTOM SIZES AVAILABLE: 2 WEEKS +/-

△ = BAKED WHITE ENAMEL

PLEASE SIGN HERE APPROVAL AND FAX BACK, IN ORDER FOR US TO PROCEED WITH ORDER:

▶ X _____ DATE: _____

▶ **PURCHASE ORDER #** **JOB #** **CARTONS:**

ABOVE PRICING IS FIRM FOR 30 DAYS (UNLESS NOTED OTHERWISE)

Pittcon

6409 Rhode Island Avenue
 Riverdale, Maryland 20737
 (301) 927-1000
 (301) 699-8690 Fax

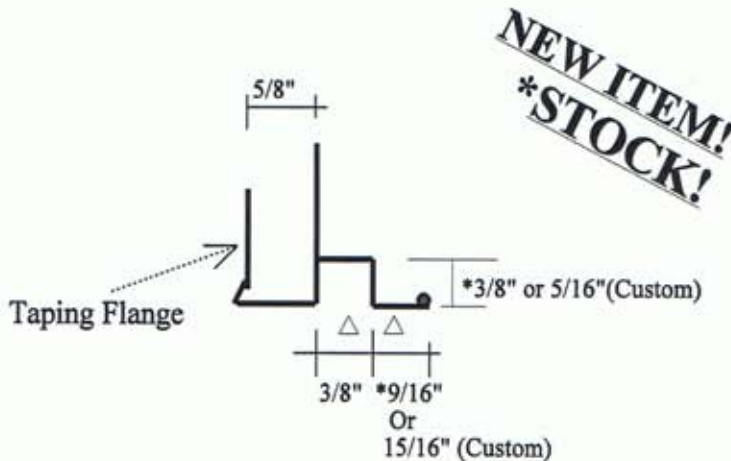


MATERIAL		FINISH			
STEEL A B C D E	ALUMINUM A B C D E	BAKED ENAMEL WHITE A B C D E	BAKED ENAMEL BLACK A B C D E	EG	OTHERS

# A	CTRBF-916	20 PCS. P/ CARTON	LENGTH: 10'	TOTAL LF / PER CARTON: 200'
# B	CTRBF-1516	20 PCS. P/ CARTON	LENGTH: 10'	TOTAL LF / PER CARTON: 200'

- A. CTRBF-916
- B. CTRBF-1516

Ceiling Transition Reveal "F" Bead CTRB WRAP-AROUND



CUSTOM SIZES AVAILABLE: 2 WEEKS +/-

△ = BAKED WHITE ENAMEL

► PURCHASE ORDER #	JOB #	CARTONS:
--------------------	-------	----------

ABOVE PRICING IS FIRM FOR 30 DAYS (UNLESS NOTED OTHERWISE)

Pittcon

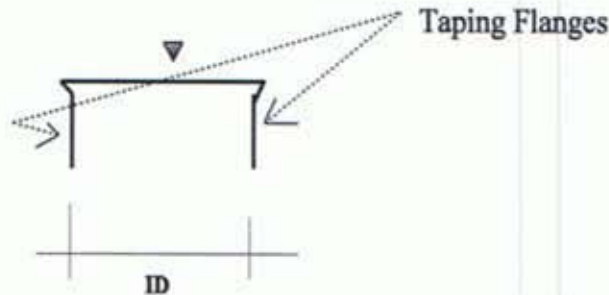
6409 Rhode Island Avenue
 Riverdale, Maryland 20737
 (301) 927-1000
 (301) 699-8690 Fax



DCS & Associates

CUSTOMER:			CONTACT :			DATE:		
TEL:			FAX:			JOB NAME:		
JOB LOCATION:		<u>STEEL</u> A B C D E F	<u>ALUMINUM</u> A B C D E F		<u>BAKED ENAMEL WHITE</u> A B C D E F	<u>BAKED ENAMEL BLACK</u> A B C D E F		<u>OTHERS</u>
LEAD TIME:		QUOTED BY:			PROJECT MANAGER:			
# A	#AWC125	1-1/4"	PCS./CTN: 20	LENGTH: 10'-00"	TOTAL LF/CTN: 200'	PRICE: \$	PER: LF	PC.
# B	#AWC378	3-7/8"	PCS./CTN: 8	LENGTH: 10'-00"	TOTAL LF/CTN: 80'	PRICE: \$	PER: LF	PC.
# C	#AWC450	4-1/2"	PCS./CTN: 6	LENGTH: 10'-00"	TOTAL LF/CTN: 60'	PRICE: \$	PER: LF	PC.
# D	#AWC500	5-00"	PCS./CTN: 6	LENGTH: 10'-00"	TOTAL LF/CTN: 60'	PRICE: \$	PER: LF	PC.
# E	#AWC5652	5-5/8"	PCS./CTN: 6	LENGTH: 10'-00"	TOTAL LF/CTN: 60'	PRICE: \$	PER: LF	PC.
# F	#AWC6125	6-1/8"	PCS./CTN: 6	LENGTH: 10'-00"	TOTAL LF/CTN: 60'	PRICE: \$	PER: LF	PC.

DRYWALL FINISHING WALL CAPS WHITE



- A= AWC125 = 1-1/4"
- B= AWC378 = 3-7/8"
- C= AWC450 = 4-1/2"
- D= AWC500 = 5-00"
- E= AWC5625 = 5-5/8"
- F= AWC6125 = 6-1/8"

STOCK!

CUSTOM SIZES AVAILABLE: 2 WEEKS +/-

^ = BAKED WHITE ENAMEL

PLEASE SIGN HERE APPROVAL AND FAX BACK	X _____	DATE: _____
PURCHASE ORDER # _____	JOB # _____	CARTONS: _____

PRICING IS FIRM FOR 30 DAYS (UNLESS NOTED OTHERWISE)

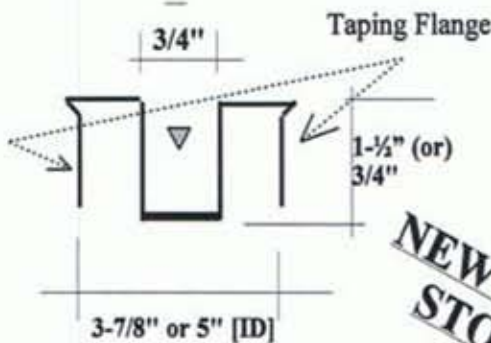
Pittcon

6409 Rhode Island Avenue
 Riverdale, Maryland 20737
 (301) 927-1000
 (301) 699-8690 Fax

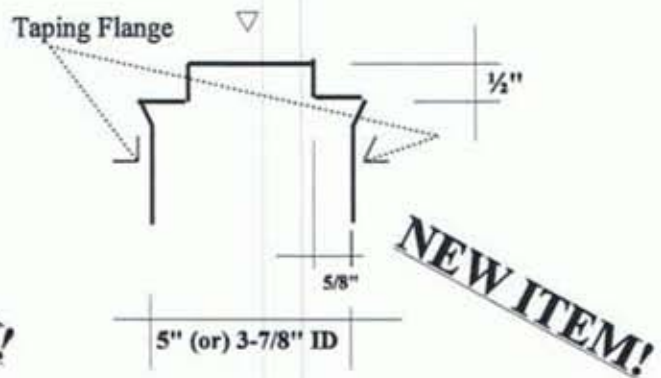


CUSTOMER:		CONTACT:		DATE:	
TEL:		FAX:		JOB NAME:	
JOB LOCATION:	MATERIAL		FINISH		
	STEEL A B C D E	ALUMINUM A B C D E	BAKED ENAMEL WHITE A B C D E	BAKED ENAMEL BLACK A B C D E	EG OTHERS
LEAD TIME: 2 WEEKS +/-	QUOTED BY:		PROJECT MANAGER:		
# A GAUGE:	PCS. 5/CTN	LENGTH: 10'	TOTAL LF: 50' / CTN	PRICE: \$	PER: LF PC.
# B GAUGE:	PCS. 5/CTN	LENGTH: 10'	TOTAL LF: 50' / CTN	PRICE: \$	PER: LF PC.
# C GAUGE:	PCS. 5/CTN	LENGTH: 10'	TOTAL LF: 50' / CTN	PRICE: \$	PER: LF PC.
# D GAUGE:	PCS. 5/CTN	LENGTH: 10'	TOTAL LF: 50' / CTN	PRICE: \$	PER: LF PC.
# E GAUGE:	PCS.	LENGTH:	TOTAL LF:	PRICE: \$	PER: LF PC.

A: Glass-Track Revealed Wall-cap



B: Stepped reveal Wall-Cap "Protruded"



- NEW ITEM! STOCK!**
- A. AWCR378-150 [CAP: 3-7/8" - Reveal: 3/4x1-1/2]
 - B. AWCR378-75 [CAP: 3-7/8" - Reveal: 3/4x3/4]
 - C. AWCR5-150 [CAP: 5" - Reveal: 3/4x1-1/2]
 - D. AWCR5-75 [CAP: 5" - Reveal: 3/4x3/4]

CUSTOM SIZES AVAILABLE: 2 WEEKS +/-

△ = BAKED WHITE ENAMEL

PLEASE SIGN HERE APPROVAL AND FAX BACK, IN ORDER FOR US TO PROCEED WITH ORDER:

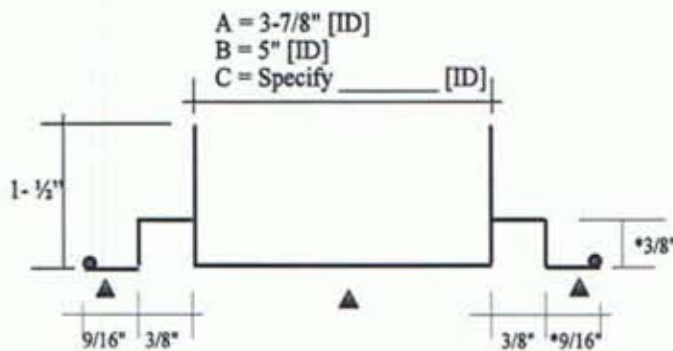
▶ X _____ DATE: _____

▶ PURCHASE ORDER # _____ JOB # _____ CARTONS: _____

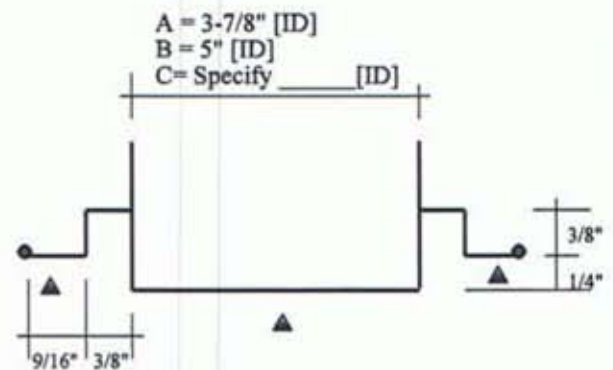
PRICING IS FIRM FOR 30 DAYS (UNLESS NOTED OTHERWISE)

CUSTOMER:		CONTACT:		DATE:			
TEL:		FAX:		JOB NAME:			
JOB LOCATION:	MATERIAL		FINISH				
	STEEL A B C D E	ALUMINUM A B C D E	BAKED ENAMEL WHITE A B C D E	BAKED ENAMEL BLACK A B C D E	EG OTHERS		
LEAD TIME: 2WEEKS +/-		QUOTED BY:		PROJECT MANAGER:			
# A	GAUGE:	PCS.	LENGTH: 10'-00"	TOTAL LF:	PRICE: \$	PER: LF	PC.
# B	GAUGE:	PCS.	LENGTH:	TOTAL LF:	PRICE: \$	PER: LF	PC.
# C	GAUGE:	PCS.	LENGTH:	TOTAL LF:	PRICE: \$	PER: LF	PC.
# D	GAUGE:	PCS.	LENGTH:	TOTAL LF:	PRICE: \$	PER: LF	PC.

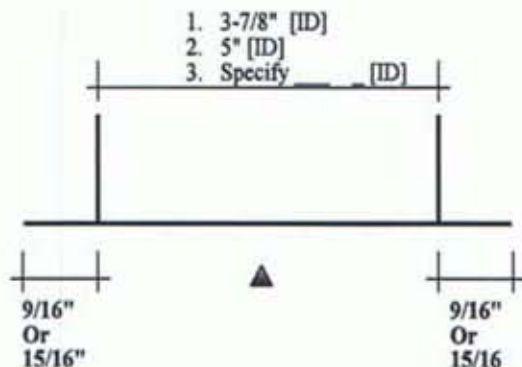
Ceiling Transition Reveal-Mldg "CAP" WHITE



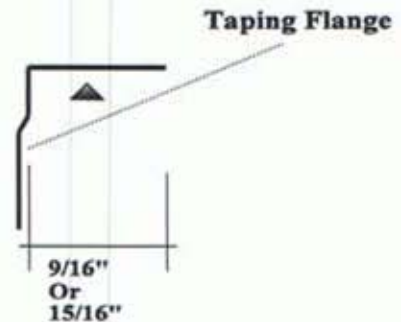
"Offset" Ceiling Transition Reveal-Mldg "CAP" WHITE



Ceiling "CAP-ANGLE" WHITE



Reverse Ceiling "Taping Angle" WHITE



CUSTOM SIZES AVAILABLE: 2 WEEKS +/-

△ = BAKED WHITE ENAMEL

PLEASE SIGN HERE APPROVAL AND FAX BACK X _____ DATE: _____

PURCHASE ORDER # _____ JOB # _____ CARTONS: _____

ABOVE PRICING IS FIRM FOR 30 DAYS (UNLESS NOTED OTHERWISE)



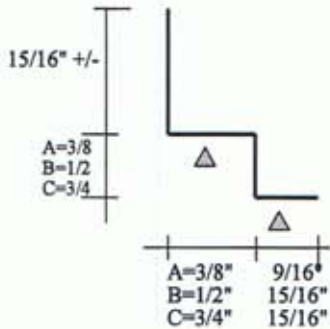
6409 Rhode Island Avenue
 Riverdale, Maryland 20737
 (301) 927-1000
 (301) 699-8690 Fax



CUSTOMER:		CONTACT:			DATE:		
TEL:		FAX:			JOB NAME:		
JOB LOCATION:		MATERIAL			FINISH		
		<u>STEEL</u> A B C D E	<u>ALUMINUM</u> A B C D E	<u>BAKED ENAMEL WHITE</u> A B C D E	<u>BAKED ENAMEL BLACK</u> A B C D E	EG	<u>OTHERS</u>
# A	GAUGE:	PCS.	LENGTH: 10'	TOTAL LF:	PRICE: \$	PER: LF	PC.
# B	GAUGE:	PCS.	LENGTH: 10'	TOTAL LF:	PRICE: \$	PER: LF	PC.
# C	GAUGE:	PCS.	LENGTH: 10'	TOTAL LF:	PRICE: \$	PER: LF	PC.
# D	GAUGE:	PCS.	LENGTH: 10'	TOTAL LF:	PRICE: \$	PER: LF	PC.
# E	GAUGE:	PCS.	LENGTH: 10'	TOTAL LF:	PRICE: \$	PER: LF	PC.
# F	GAUGE:	PCS.	LENGTH: 10'	TOTAL LF:	PRICE: \$	PER: LF	PC.

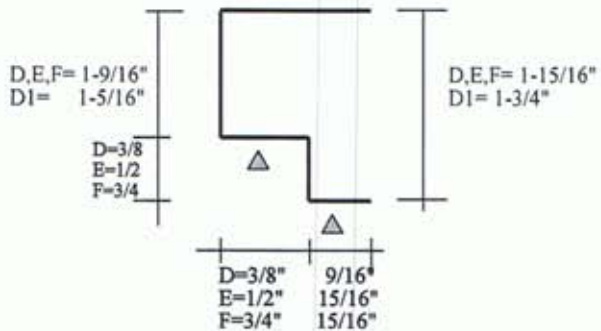
STEP / REVEAL "ANGLE" MOLDING

- A. #SM38916
- B. #SM50
- C. #SM75



STEP / REVEAL "CHANNEL" MOLDING

- 2" (overall ht.) CHANNEL D. #RVM38916
- 1-3/4" (overall ht.) CHANNEL D1. #RVM38916-175
- E. #RVM50
- F. #RVM75



NOTE: ALL STEP/REVEAL ANGLE AND CHANNEL MOLDINGS ARE HEMMED ON BOTH EDGES.

CUSTOM SIZES AVAILABLE 2 WEEKS +/-

△ = BAKED WHITE ENAMEL

PLEASE SIGN HERE APPROVAL AND FAX BACK, IN ORDER FOR US TO PROCEED WITH ORDER:

▶ X _____ DATE: _____

▶ PURCHASE ORDER # _____ JOB # _____ CARTONS: _____

ABOVE PRICING IS FIRM FOR 30 DAYS (UNLESS NOTED OTHERWISE)



Florida
Thomas Schreiber
Sales Representative

tom@dcs-sales.com

(407) 648-5348 Phone

(407) 505-4336 Fax

www.dcs-sales.com

8805 Tamiami Trail North, Suite 107

Naples, FL 34108

Puerto Rico, US Virgin Islands - Caribbean
Island groups-Lucayan Archipelago
Greater Antilles, Lesser Antilles, Bahamas